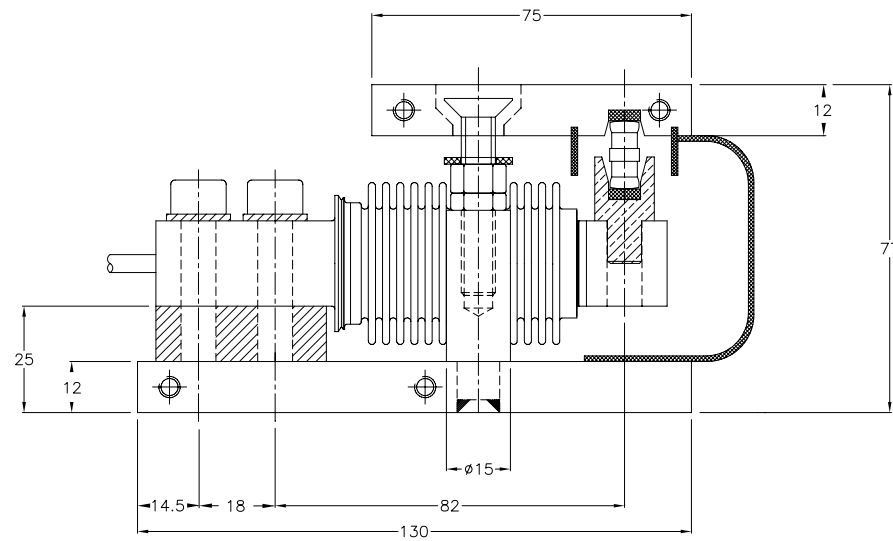
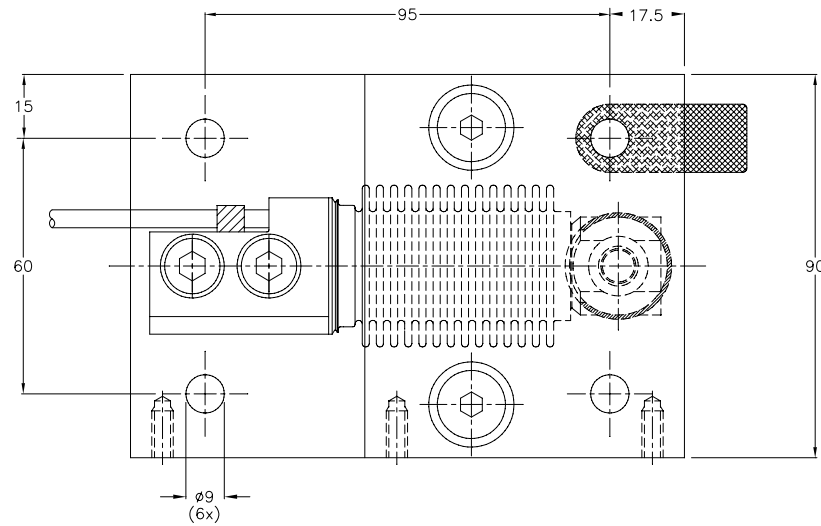


Date	Let	Revision	By	Chk	Approvals
24-05-'05	-	New Drawing	U.D.		



499048-10	Stainless Steel Assembly
499048-00	Nickel Plated Steel Assembly
Partnumber	Specification

REVERE TRANSDUCERS EUROPE			THIS DRAWING SHALL NOT BE REPRODUCED WITHOUT PERMISSION OF REVERE TRANSDUCERS EUROPE
GEN.TOL ±	ANGLE ±	MATERIAL:	
SCALE None	ROUGHN. ✓	PROJ.	
DRAWN : U.Dreischarf	FINISH:	DATE : 24-05-'05	
DRAWING : Tankmount	499048C	- SIZE	
SHBxR 5kg/200kg	SHEET: 1 OF 1	Rev A2	