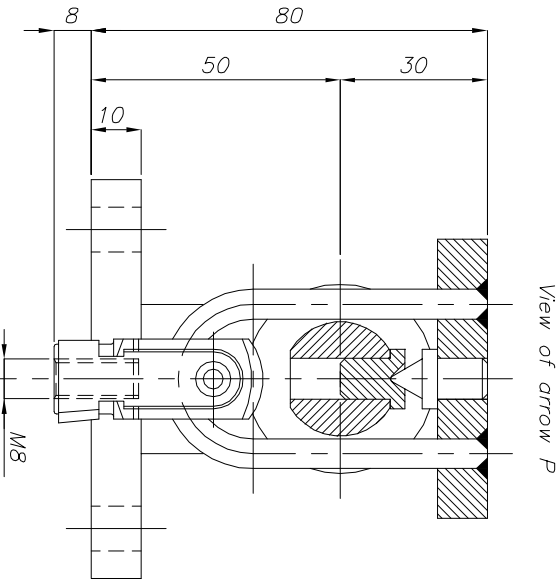
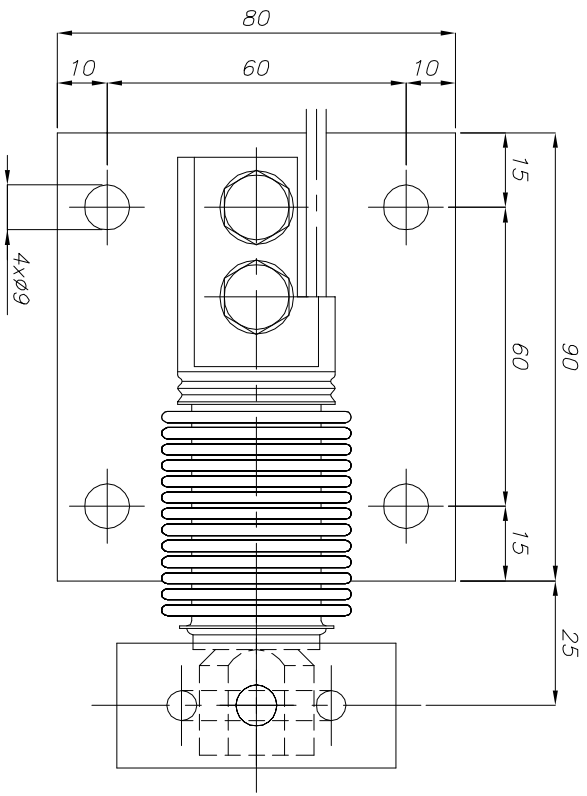
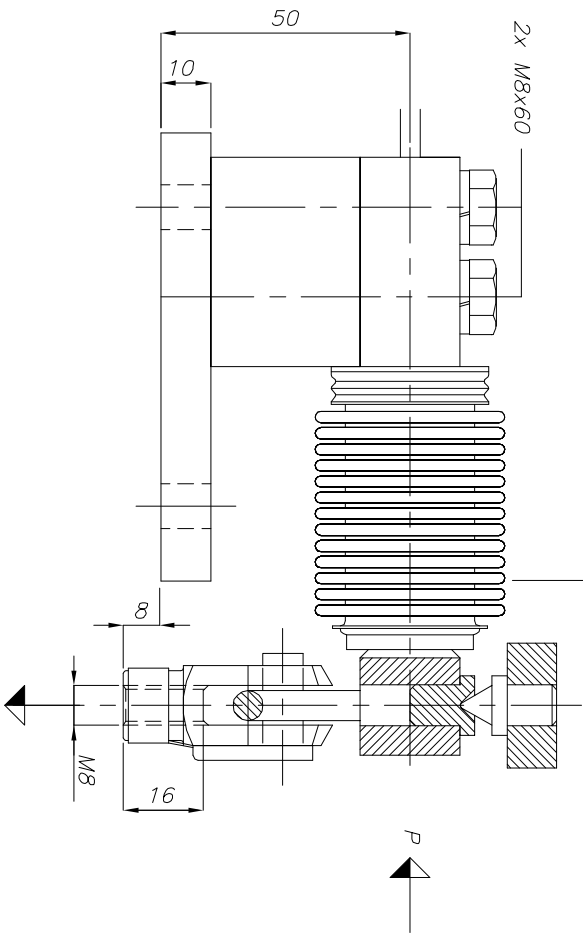


Rev.	Description:	Date:	Sign.	Checked



Loadcell SHBxR 5-200 Kg



Gen.Tol ±	Scale: None	Material: Steel St.37 / SS 304
Angle ±	Proj.:	Finish:
Roughn.: ✓	Checked:	Hybrid mount LM-A-0
Date: 01-01-'12	By: J.Kersten	SHBxR 5-200kg
<small>(This drawing shall not be reproduced without permission of)</small>		
Marco Integrated Weighing		1111060
Sheet: 1 of 1		0
		Rev. A3
		SIZE