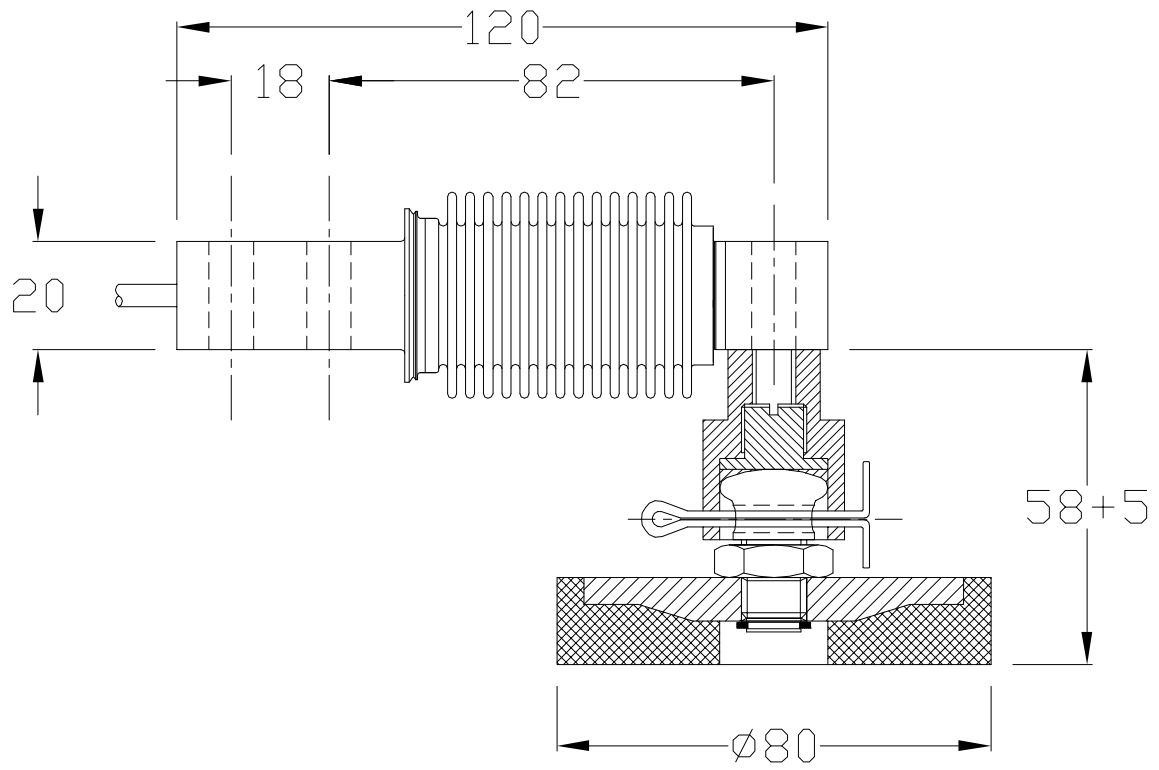
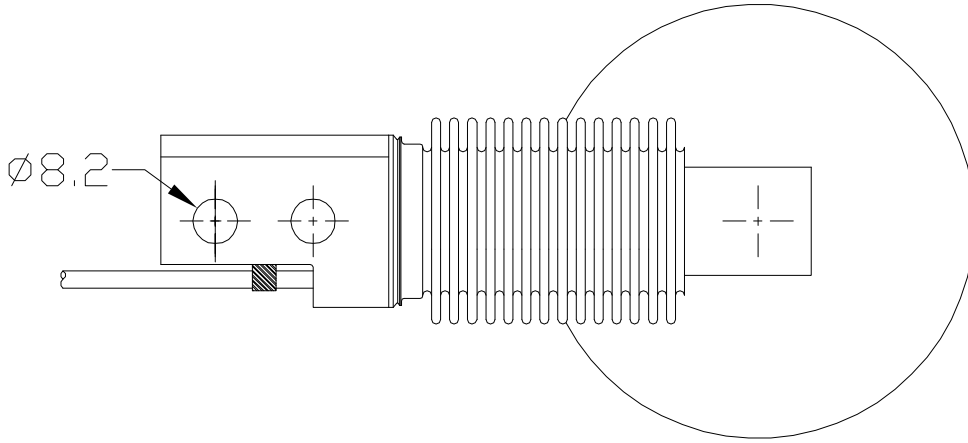


Rev.	Description:	Date:	Sign.	Checked



Gen.Tol ±	Scale: None	Material: Stainless Steel AISI304
Angle ±	Proj.:	Finish: Glass Blasted
Roughn.: ✓	Checked:	SHBxR foot 200/350kg
Date: 18-03-'07	By: J.Kersten	
(This drawing shall not be reproduced without permission of:)		
Marco Integrated Weighing		—
Sheet: 1 of 1		0 Rev. SIZE A3