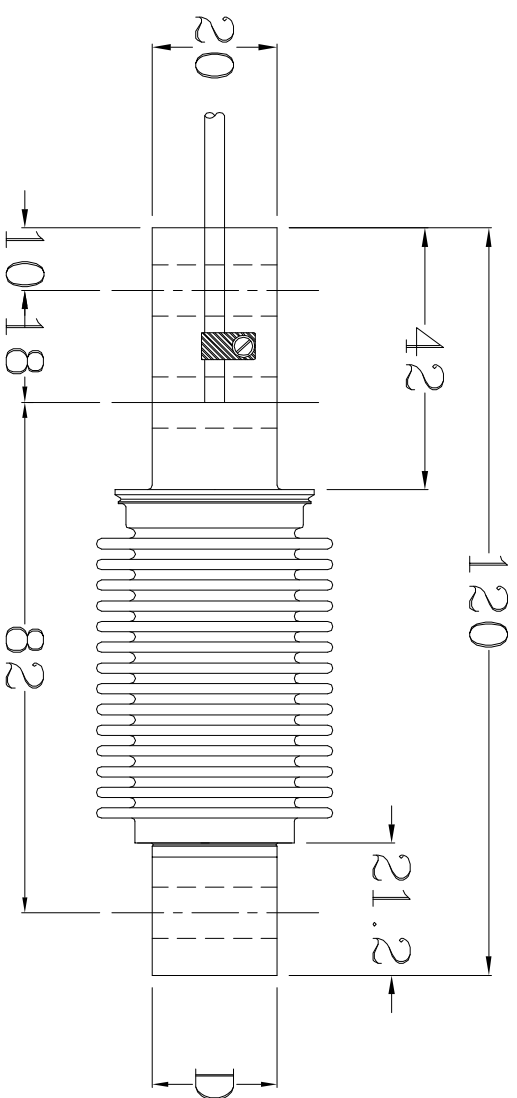
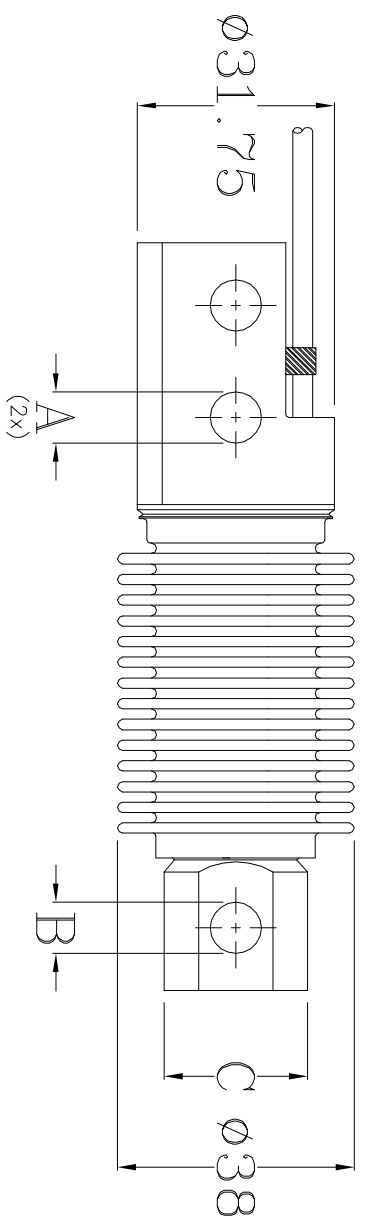


Rev.	Description:	Date:	Sign.	Checked



Capacity(kg)	5-200	350/500
A	8.2	10.3
B	8.2 ^{+0.1} ₀	10.3 ^{+0.1} ₀
C	23.0	24.0
D	20.0	19.0

Note: Dimensions in millimeters



Gen.Tol ±	Scale: None	Material: Stainless Steel
Angle ±	Proj.:	Finish:
Roughn.: ✓	Checked:	SHBxR Outline
Date: 01-01-'12	By: J.Kersten	
<small>(This drawing shall not be reproduced without permission of:)</small>		
Marco Integrated Weighing		Sheet: 1 of 1
		0
		Rev. A3
		SIZE
		A3