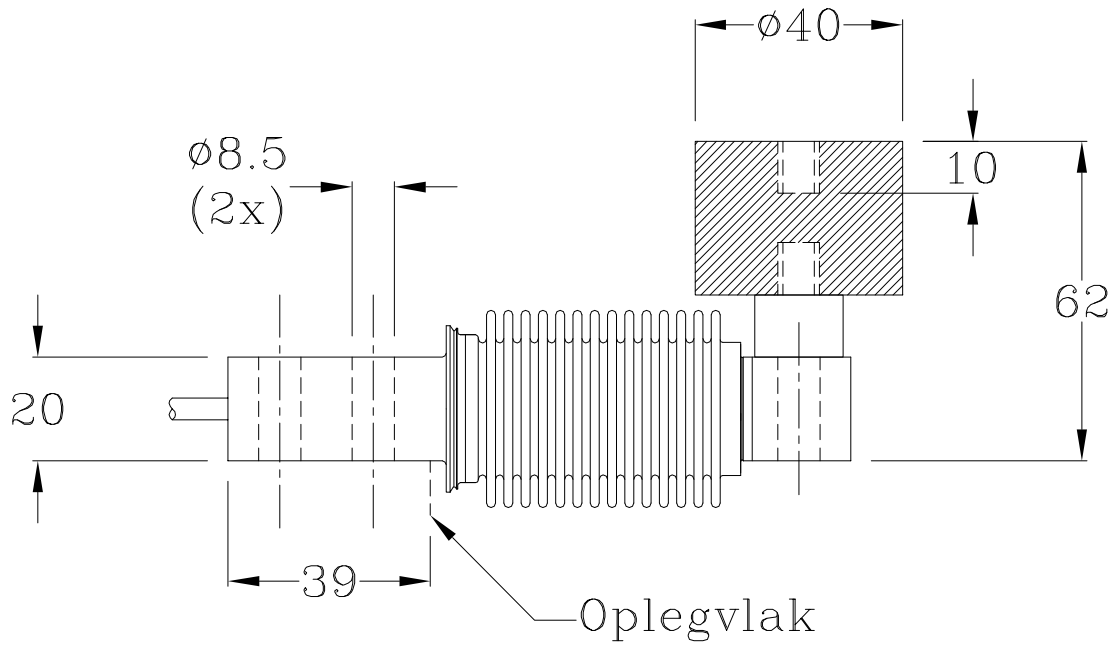
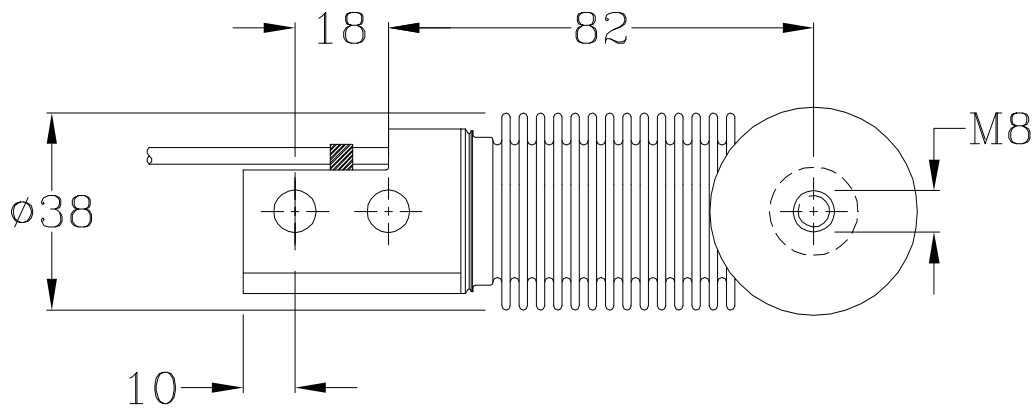


Rev.	Description:	Date:	Sign.	Checked



Gen.Tol ±	Scale: None	Material: Stainless Steel
Angle ±	Proj.: $\begin{matrix} \oplus \\ \ominus \end{matrix}$	Finish:
Roughn.: \checkmark	Checked:	SHBxR Elastomeer
Date: 01-01-'12	By: J.Kersten	
(This drawing shall not be reproduced without permission of.)		0
Marco Integrated Weighing		Sheet: 1 of 1
		Rev. SIZE A3