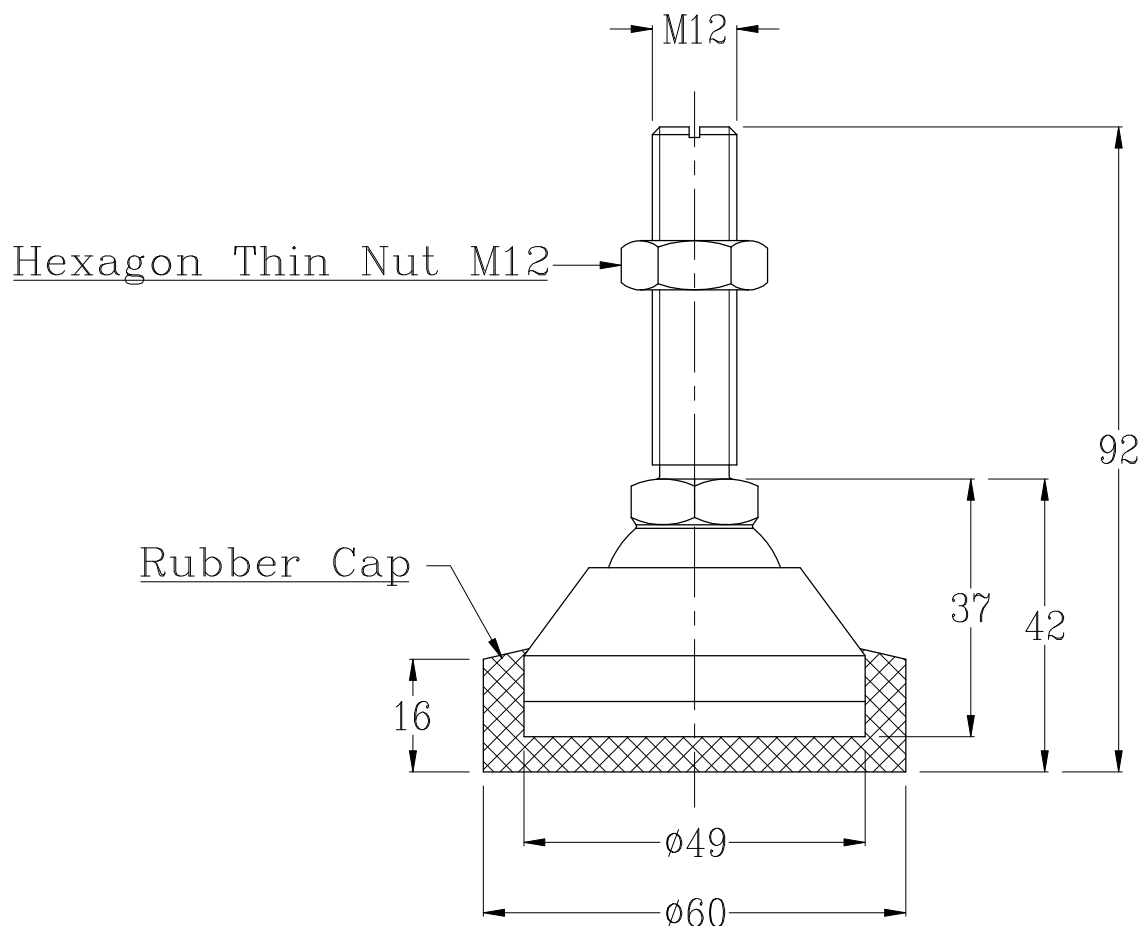


Date	Let	Revision	By	Chk	Approvals
31-10-'03	-	New Drawing	U.D.	J.F.	



499137-00	Adjustable Stainless Steel Foot 9123 0.5t, 1t & 2t
Partnumber	Description

## REVERE TRANSDUCERS EUROPE

THIS DRAWING SHALL NOT  
BE REPRODUCED WITHOUT  
PERMISSION OF REVERE  
TRANSDUCERS EUROPE

GEN.TOL $\pm$	ANGLE $\pm$	MATERIAL:	PROJ.
SCALE 1:1	ROUGHN. <input checked="" type="checkbox"/>		
DRAWN : U.Dreischarf		FINISH:	DATE : 29-10-'03

DRAWING :	Adjustable Foot 9123 0.5t - 2t	499137C	-	SIZE
		SHEET: 1 OF 1	Rev	A4