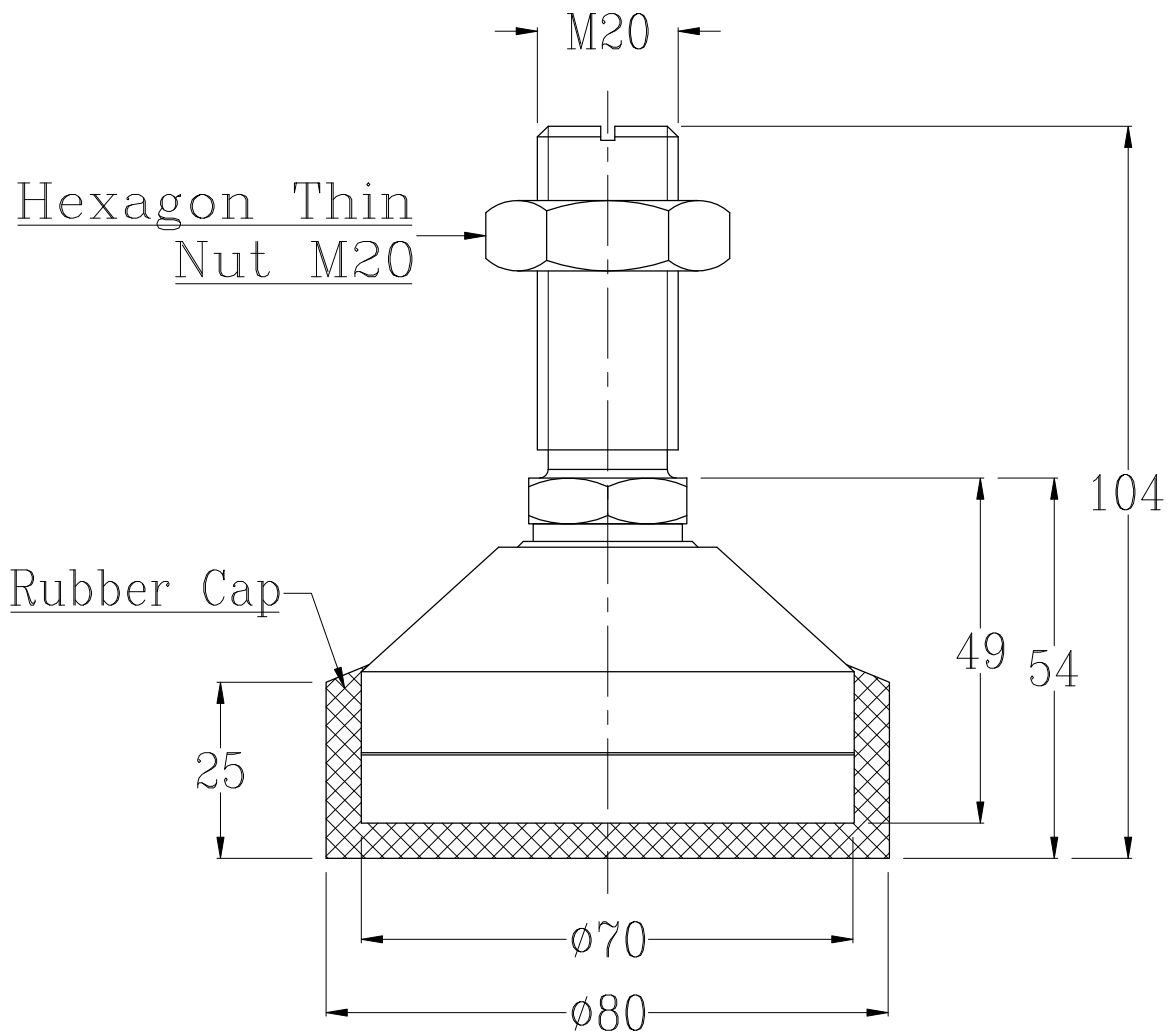


Date	Let	Revision	By	Chk	Approvals
31-10-'03	-	New Drawing	U.D.	J.F.	



499139-00	Adjustable Stainless Steel Foot 9123-5t
Partnumber	Description

REVERE TRANSDUCERS EUROPE

THIS DRAWING SHALL NOT BE REPRODUCED WITHOUT PERMISSION OF REVERE TRANSDUCERS EUROPE

GEN.TOL ±	ANGLE ±	MATERIAL:	PROJ.
SCALE 1:1	ROUGHN. ✓		
DRAWN : U.Dreischarf		FINISH:	DATE : 29-10-'03

DRAWING : Adjustable Foot 9123 - 5t	499139C	-	SIZE
	SHEET: 1 OF 1	Rev	A4